

Intelligent Solutions For Your Success



Choose BATSTAR!

BATSTAR is a German specialist for high performance battery packs and audio solutions for professional mobile radios. With fifteen years of experience in developing and manufacturing professional battery packs, charging devices and audio equipment, we can offer a great range of products in the field of communication.

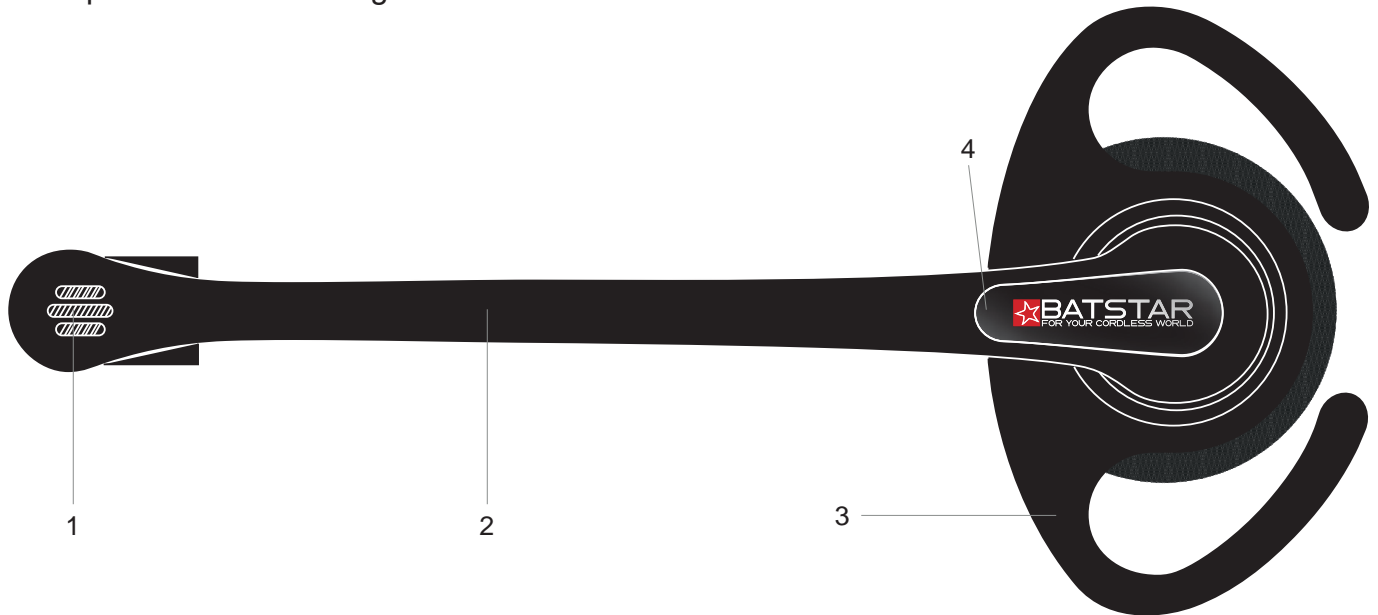
Clever ideas and quality management are our main focus, to challenge the valuation of suitability. Our ongoing mission is to develop and optimize our products to the best-fit solution that meets the customer's needs. We are always looking for new opportunities to implement your ideas.

We have the ambition to produce, offer and deliver high quality products, just in time with a fair value, to meet the client requirements. Before delivering our products, the goods have to get through a detailed quality control to get the seal of BATSTAR guarantee.

With a first-class service, which is our qualified and motivated sales team, we serve customers all over the world. The BATSTAR-Team knows more than just a part number of the product you are looking for. If you have any specific question or you want to place an order, please contact us for individual expert advice.



C-Shape Headset - Coming Soon



- 1 Water protected, noise cancelling microphone element with professional noise cancelling function, suitable for an operating temperature of -40°C to $+80^{\circ}\text{C}$ provides superior sound and excellent communication.
- 2 Adjustable and flexible microphone boom allows 280° rotation for right and left use, always keeping the user's most comfortable position.
- 3 Adjustable Ear-Piece, made out of soft and flexible material suits users from small to large size ears, due to its C-shaped form. The large Ear-Pad provides even more comfort to the ears.
- 4 The C-Shape Headset is designed for an exclusive and easy handling in industrial environments. The BATSTAR „Easy Repair“-System ensures an easy and fast replacement of broken parts.

C-Shape Headset

part number		description
5 2420 00 1	5002	to Vocollect-Talkman®-Systemconnector
5 2426 00 1	1061	to 6-pin HiRose-Systemconnector (16cm cable)
5 2426 00 4	5002	to 6-pin HiRose incl. Adaptercable to Vocollect Talkman® (16cm cable)
5 2426 00 1	1051	to 5-pin Binder-Systemconnector for Toppystem Voxter® (16cm cable)
5 2420 00 1	1091	to 9-pin ODU Connector for Toppystem Voxter®
5 2420 00 4	1091	to 6-pin HiRose incl. Adaptercable to 9-pin ODU for Toppystem Voxter®
5 2420 00 1	1031	to 5-pin Binder-Systemconnector for proLogistik pL-Voice
5 2420 00 2	1045	to QD-Systemconnector (Quick Disconnect)



Comfort Ear-Bud with Ear-Hook



part number		description
5 6171 00 1	5002	to Vocollect-Talkman®-Systemconnector
5 6176 00 1	1061	to 6-pin HiRose-Systemconnector (16cm cable)
5 6176 00 4	5002	to 6-pin HiRose incl. Adaptercable to Vocollect Talkman® (16cm cable)
5 6171 00 2	1045	to QD-Systemconnector (Quick Disconnect)

D-Shape Headset



part number		description
5 6200 00 1	5002	to Vocollect-Talkman®-Systemconnector
5 6206 00 2	1061	to 6-pin HiRose-Systemconnector (12cm coiled cable)
5 6200 00 1	1091	to 9-pin ODU Connector for Toppystem Voxter®
5 6200 00 1	1051	to 5-pin Binder-Systemconnector for Toppystem Voxter®
5 6206 00 1	1031	to 5-pin Binder-Systemconnector for proLogistik pL-Voice
5 6200 00 2	1045	to QD-Systemconnector (Quick Disconnect)

Behind-The-Head Headset



part number		description
5 2110 00 1	5002	to Vocollect-Talkman®-Systemconnector
5 2116 00 2	1061	to 6-pin HiRose-Systemconnector (12cm coiled cable)
5 2110 00 1	1091	to 9-pin ODU Connector for Toppystem Voxter®
5 2110 00 1	1051	to 5-pin Binder-Systemconnector for Toppystem Voxter®
5 2110 00 1	1031	to 5-pin Binder-Systemconnector for proLogistik pL-Voice
5 2110 00 2	1045	to QD-Systemconnector (Quick Disconnect)

Overhead Comfort-Headset - Size „S“

part number		description
5 8121 00 1	5002	to Vocollect-Talkman®-Systemconnector
5 8121 00 1	1061	to 6-pin HiRose-Systemconnector (16cm cable)
5 8121 00 4	5002	to 6-pin HiRose incl. Adaptercable to Vocollect Talkman® (16cm cable)
5 8121 00 1	1051	to 5-pin Binder-Systemconnector for Toppystem Voxter® (16cm cable)
5 8121 00 1	1091	to 9-pin ODU Connector for Toppystem Voxter®
5 8121 00 4	1091	to 6-pin HiRose incl. Adaptercable to 9-pin ODU for Toppystem Voxter®
5 8121 00 1	1031	to 5-pin Binder-Systemconnector for proLogistik pL-Voice
5 8121 00 1	2532	to 2.5 mm right angle headphone audio connector 3-pole
5 8121 00 1	3532	to 3.5 mm right angle headphone audio connector 3-pole
5 8121 00 2	1045	to QD-Systemconnector (Quick Disconnect)



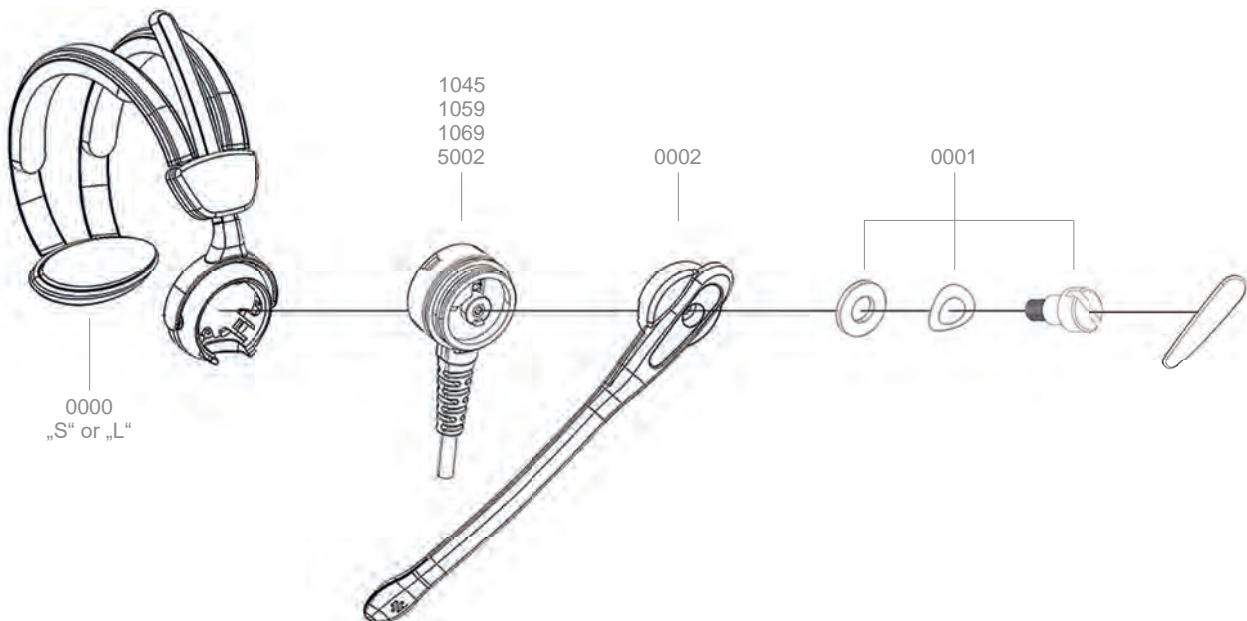
Overhead Comfort-Headset - Size „L“

	part number		description
<p>A black overhead headset with two earpieces and a boom microphone. A bracket above the earpieces is labeled "large".</p>	5 8123 00 1	5002	to Vocollect-Talkman®-Systemconnector
	5 8123 00 1	1061	to 6-pin HiRose-Systemconnector (16cm cable)
	5 8123 00 4	5002	to 6-pin HiRose incl. Adaptercable to Vocollect Talkman® (16cm cable)
	5 8123 00 1	1051	to 5-pin Binder-Systemconnector for Toppystem Voxter® (16cm cable)
	5 8123 00 1	1091	to 9-pin ODU Connector for Toppystem Voxter®
	5 8123 00 4	1091	to 6-pin HiRose incl. Adaptercable to 9-pin ODU for Toppystem Voxter®
	5 8123 00 1	1031	to 5-pin Binder-Systemconnector for proLogistik pL-Voice
	5 8123 00 1	2532	to 2.5 mm right angle headphone audio connector 3-pole
	5 8123 00 1	3532	to 3.5 mm right angle headphone audio connector 3-pole
	5 8123 00 2	1045	to QD-Systemconnector (Quick Disconnect)

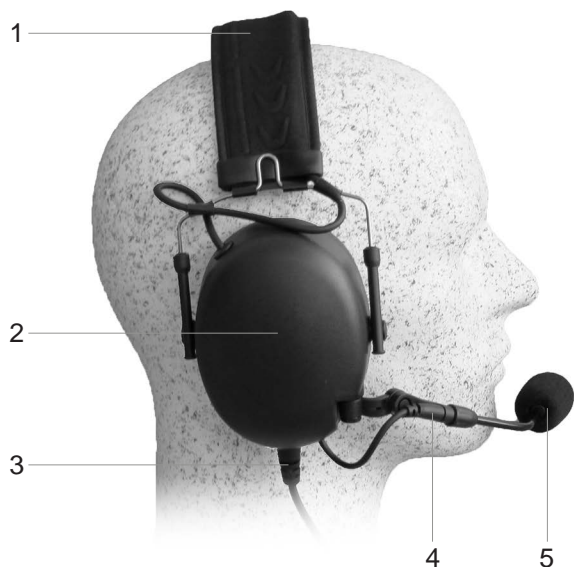


Spare Parts: Overhead Comfort-Headset

part number		description
5 8110 00 9	0001	Screw-Kit for Microphone Boom for Overhead Comfort-Headset
5 8110 00 9	0002	Microphone Boom for Overhead Headset (5 8111 XX X XXXX / 5 8113 XX X XXXX)
5 8120 00 9	0002	Microphone Boom for Overhead Comfort-Headset (5 8121 XX X XXXX / 5 8123 XX X XXXX)
5 8111 00 9	0000	Headband for Overhead Comfort-Headset (Standard Size „S“)
5 8113 00 9	0000	Headband for Overhead Comfort-Headset (Large Size „L“)
5 8110 00 9	1045	Speaker for Overhead Comfort-Headset, with cable to QD-Systemconnector (Quick Disconnect)
5 8110 00 9	1059	Speaker for Overhead Comfort-Headset, with cable to 5-pin Binder-System Adapter
5 8110 00 9	1069	Speaker for Overhead Comfort-Headset, with cable to 6-pin HiRose Adapter
5 8110 00 9	5002	Speaker for Overhead Comfort-Headset, with cable to Vocollect-Talkman®-Systemconnector
5 8110 00 9	7108	Mounting Disk for Overhead Comfort-Headset



BATSTAR Earmuff Collection



- 1 Comfortable headband provides an equal distribution of pressure on the head while wearing it - even for hours.
- 2 High attenuating cups with an optimized acoustic design for high quality sound and soft foam for a convenient wearing comfort.
- 3 The BATSTAR Earmuff Collection comes with industrial jacketed cables for a safe and professional use and a maximum lifetime in the field.
- 4 Flexible microphone boom can be adjusted quickly into the best position to meet the user's individual needs.
- 5 Microphone element with noise cancelling function supports clear audio transmission, due to an excellent high-level noise compensation.

Dual Earmuff Headset with Noise Cancelling Microphone

part number	description
5 8810 00 1 5002	to Vocollect-Talkman®-Systemconnector
5 8816 00 1 1061	to 6-pin HiRose-Systemconnector (16cm cable)
5 8810 00 2 1091	to 9-pin ODU Connector for Toppystem Voxter®
5 8810 00 2 1045	to QD-Systemconnector (Quick Disconnect)
5 8810 00 1 1051	to 5-pin Binder-Systemconnector for Toppystem Voxter®



Dual Earmuff Behind-The-Head Headset with Noise Cancelling Microphone

part number	description
5 8910 00 1 5002	to Vocollect-Talkman®-Systemconnector
5 8816 00 1 1061	to 6-pin HiRose-Systemconnector (16cm cable)
5 8810 00 2 1091	to 9-pin ODU Connector for Toppystem Voxter®
5 8910 00 2 1045	to QD-Systemconnector (Quick Disconnect)
5 8810 00 1 1051	to 5-pin Binder-Systemconnector for Toppystem Voxter®



5002
Vocollect-Talkman®-Systemconnector



1045
QD-Systemconnector
(Quick Disconnect)

1061
6-pin HiRose-Systemconnector



1091
9-pin ODU Connector for
Topsystem Voxter®

1031
5-pin Binder-Systemconnector for
proLogistik pL-Voice



1051
5-pin Binder-Systemconnector for
Topsystem Voxter®



3531
3.5 mm straight High Quality
Audio Connector 3-pole



0140
Connector for Motorola
WT40XX / WT41XX



2531
2.5 mm straight High Quality
Audio Connector 3-pole



Adaptercable

part number		description	connector 1	to connector 2
5 1069 00 4	5002	with 30 cm spiral cable	6-pin HiRose	to NEW Vocollect Talkman®
5 1069 00 4	3541	with 30 cm spiral cable	6-pin HiRose	to 3.5 mm straight headphone audio connector 4-pole
5 1069 00 4	1091	with 30 cm spiral cable	6-pin HiRose	to 9-pin ODU for Topsystem Voxter®
5 1059 00 4	1091	with 30 cm spiral cable	5-pin Binder socket	to 9-pin ODU for Topsystem Voxter®
5 1045 00 4	0140	with 10 cm spiral cable	QD (Quick Disconnect)	to Motorola WT40XX / WT41XX
5 1045 00 4	5002	with 16 cm straight cable	NEW QD (Quick Disconnect)	to NEW Vocollect Talkman®
5 1045 00 4	1031	with 30 cm spiral cable	NEW QD (Quick Disconnect)	to to 5-pin Binder-Systemconnector for proLogistik pL-Voice
5 1045 00 4	2532	with 30 cm spiral cable	NEW QD (Quick Disconnect)	to 2.5 mm right angle headphone audio connector 3-pole
5 1045 00 4	3532	with 30 cm spiral cable	NEW QD (Quick Disconnect)	to 3.5 mm right angle headphone audio connector 3-pole
5 1045 00 4	3542	with 30 cm spiral cable	NEW QD (Quick Disconnect)	to 3.5 mm right angle headphone audio connector 4-pole
5 1045 00 4	1045	with 30 cm spiral cable	NEW QD (Quick Disconnect)	to NEW QD (Quick Disconnect)



Adaptercable 5 1069 00 4 5002

NEW Adaptercable with „Operator ID Recognition“

part number		description	connector 1	to connector 2
5 1069 00 4	5003	with 30 cm spiral cable	6-pin HiRose	to NEW Vocollect Talkman®



Accessories

part number	description	
5 2110 00 9	0001	Temple Pad (fixing pad) for Behind-The-Head Headset packing unit: 10 pieces overpacking unit: 100 pieces
5 2110 00 9	0002	Ear Pad (side of speaker) for Behind-The-Head Headset packing unit: 10 pieces overpacking unit: 100 pieces
5 5120 00 9	0000	Ear Foam Pad for Comfort Earbud with Ear-Hook packing unit: 10 pieces overpacking unit: 100 pieces
5 6200 00 9	7103	Clip for Audiocable (Ø = 2 mm) for D-Shape Headset packing unit: 10 pieces overpacking unit: 100 pieces
5 8110 00 9	7101	Acoustics Microphone Foam Shield Waterproofed (Silicon-Teflon treated) for Overhead Comfort-Headset & Behind-The-Head Headset packing unit: 25 pieces overpacking unit: 250 pieces
5 8110 00 9	7102	Acoustics Microphone Foam Shield (Standard) for Overhead Comfort-Headset & Behind-The-Head Headset packing unit: 25 pieces overpacking unit: 250 pieces
5 8110 00 9	7103	Clip for Audiocable for Overhead Comfort-Headset & Behind-The-Head Headset packing unit: 10 pieces overpacking unit: 100 pieces
5 8110 00 9	7106	Oval Foam Temple Pad (fixing pad) for Overhead Comfort-Headset packing unit: 10 pieces overpacking unit: 100 pieces
5 8110 00 9	7107	Ear Pad (side of speaker) for Overhead Comfort-Headset packing unit: 25 pieces overpacking unit: 125 pieces
5 8110 00 9	7108	Mounting Disk for for Overhead Comfort-Headset packing unit: 10 pieces overpacking unit: 100 pieces
5 8110 00 9	7109	Headband Pad for Overhead Comfort-Headset packing unit: 10 pieces overpacking unit: 100 pieces



Belt-Clip

part number		description
6 2801 01 0	5005	Belt-Clip for Vocollect T2 / T2x and A500 / T5



Holster

part number		description
6 3900 14 2	0000	Universal Protective-Bag for Intermec, Motorola, Psion and others



Nylon Belt

part number		size	length
6 2800 14 3	0000	M	76 cm - 104 cm / 30" - 41" inch
6 2800 14 4	0000	L	89 cm - 116 cm / 35" - 46" inch
6 2800 14 5	0000	XL	104 cm - 132 cm / 41" - 52" inch
6 2800 14 6	0000	XXL	119 cm - 147 cm / 47" - 58" inch
6 2800 14 7	0000	XXXL	134 cm - 162 cm / 53" - 64" inch



Voice Training Equipment for Professional In-House Training, Instruction of Employees and More

part number		description
6 6101 00 4	5008	Wired Listening Kit for Vocollect TR-601-1: Set of Audio Adapter / Adaptercable with 3.5mm right angle Standard Audio Connector (AUX) and Mobile Travel / Demonstration Speaker
6 6103 00 0	0001	Mobile Travel / Demonstration Speaker with Bluetooth, 3.5 mm AUX Socket and Micro USB Port for Charging the Built-in Li-ion Battery inclusive Fastening Strap
6 6103 00 4	5008	Audio Adapter / Adaptercable: Vocollect-Talkman®-Systemconnector (Red) to 3.5 mm right angle Standard Audio Connector (AUX) - replaces Vocollect TR-601-103



BATSTAR GmbH
Ungerather Str. 87
D-41366 Schwalmtal

Telefon: +49(0)21 63/57556-0
Telefax: +49(0)21 63/57556-50

E-Mail: info@batstar.de
http:// www.batstar.de



Download digital version



Unless it is not clearly identified as an original, the listed articles relate to alternative products of BATSTAR and not to the original product. Brand and company names are partially registered trademarks of the respective owner and serve merely for indicating the compatibility. Pictures may vary from the original product. Errors, omissions and price alterations are excepted. Our general terms and conditions apply.